



**5 Year  
Warranty**

# VICTORY 120

SPDT Enclosed Relay – Coil: 24VAC/DC, 120VAC  
Contacts: 20A(r)@277VAC, 28VDC

The V120 SPDT Enclosed relay combines an industrial strength relay with an easy to use nipple mount enclosure. The Victory series provides quick relay mounting without a dedicated field enclosure, making it ideal for retrofit projects. Field-selectable high and low voltage coil inputs provide on-site versatility.

### APPLICATIONS

- Command contactors
- Control motors
- Isolation
- Device interlocking
- Relay logic
- Sense voltages for alarm conditions

### SPECIFICATIONS

<b>Operating Temperature</b>	-34°C to 55°C
<b>Operating Humidity</b>	0-95% non-condensing
<b>Expected Relay Life</b>	10 million cycles min.
<b>Relay Status</b>	LED ON=energized
<b>Dimensions... (LxWxH)</b>	2.92" x 1.80" x 1.58"; (H) 1/2" NPT nipple

### Sleek field enclosure eliminates the need for panel space

- Versatile coil and contact ratings minimize the number of models to choose
- The nipple mount feature allows the Victory Series to be mounted to any electrical enclosure
- HP Ratings make the V120 ideal for control of fractional HP motors
- Flexible tinned stranded wire...fits easily in tight spaces & provides secure connections to wire nuts
- UL508 Listed...designed and listed for field installation... makes electrical inspection a snap

TYPICAL COIL PERFORMANCE		
Voltage	Coil Current	
	AC	DC
24V.....	75mA	32mA

CONTACT RATINGS	
Resistive.....	20A(r)*@277VAC, 28VDC
Motor.....	120VAC, 1HP 277VAC, 2HP
Ballast.....	277VAC, 20A N.O. 277VAC, 10A N.C.
Tungsten.....	120VAC, 10A N.O. 120VAC, 2A N.C.
Pilot duty.....	A300

\*Note operating temperature specification

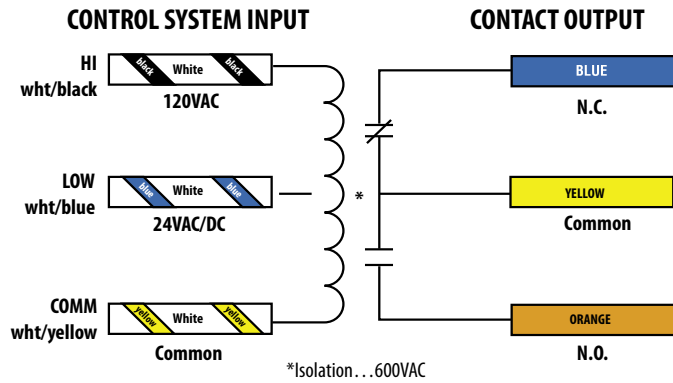
### ORDERING INFORMATION



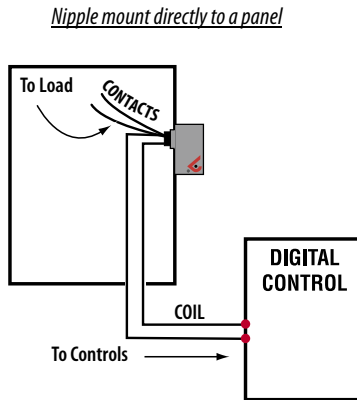
MODEL	COIL	CONTACT
V120	24VAC/DC, 120VAC	SPDT, 20A(r)@277VAC

Plenum rated per UL 2043

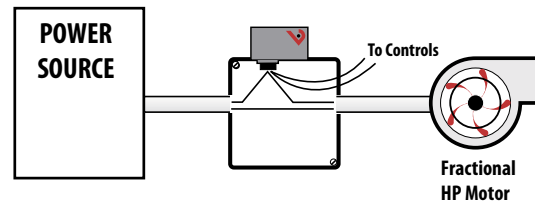
**WIRE COLOR CODES**



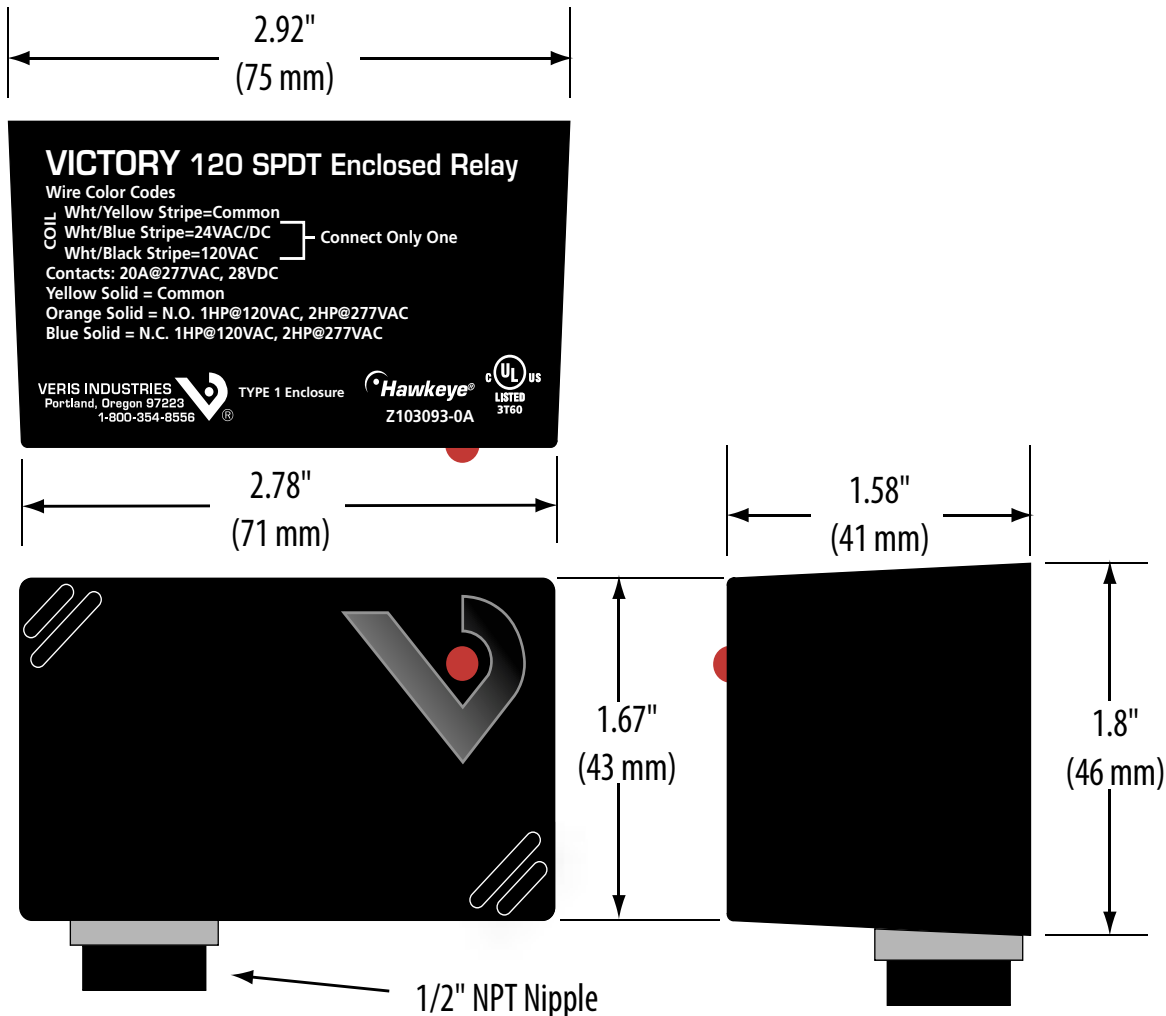
**APPLICATIONS/WIRING EXAMPLE**



*Nipple mount to 4x electrical box*



**DIMENSIONAL DRAWING**



**VICTORY 120 SPDT Enclosed Relay**

Wire Color Codes

- Wht/Yellow Stripe=Common
- Wht/Blue Stripe=24VAC/DC
- Wht/Black Stripe=120VAC

Connect Only One

Contacts: 20A@277VAC, 28VDC

Yellow Solid = Common

Orange Solid = N.O. 1HP@120VAC, 2HP@277VAC

Blue Solid = N.C. 1HP@120VAC, 2HP@277VAC

VERIS INDUSTRIES  
Portland, Oregon 97223  
1-800-354-8556

TYPE 1 Enclosure

**Hawkeye**®  
Z103093-0A

UL LISTED 3160