

SMALLEST SPLIT-CORE CURRENT SENSOR IN THE INDUSTRY!



H300

5 Year Warranty

Hawkeye® 300

Micro Split-Core Fixed Setpoint Digital Output Current Switches



The Hawkeye 300 Series go/no current switch provides a cost-effective solution for monitoring status on vents, exhaust fans, recirculation pumps and other fixed loads where belt loss is not a concern.

APPLICATIONS

- Monitoring on/off status of electrical loads
- Monitoring direct drive units, exhaust fans and other fixed loads
- Verifying lighting run times

On/off status for direct-drive fans, pumps, and process motors

- More reliable for status than relays across auxiliary contacts
- Ideal for direct-drive units, unit vents, fan coil units, exhaust fans and other fixed loads
- Great for lighting status—less expensive than 277V relays
- Low 0.15A turn-on... ideal for small exhaust fans (Not intended to detect belt loss)
- Mounting bracket provides installation flexibility

Monitor status of fans, pumps, motors & other electrical loads

- Split-core 300 for fast retrofit installation
- Micro size fits in tight enclosures
- 100% solid-state, no moving parts to fail
- Polarity insensitive output
- 5-year limited warranty

ORDERING INFORMATION

MODEL	AMPERAGE RANGE	OUTPUT TYPE	OUTPUT RATING (MAX.)
H300	0.15 - 60A	N.O., Solid-state	1.0A@30VAC/DC

ACCESSORIES

DIN Rail Clip Set... See page 234



H900



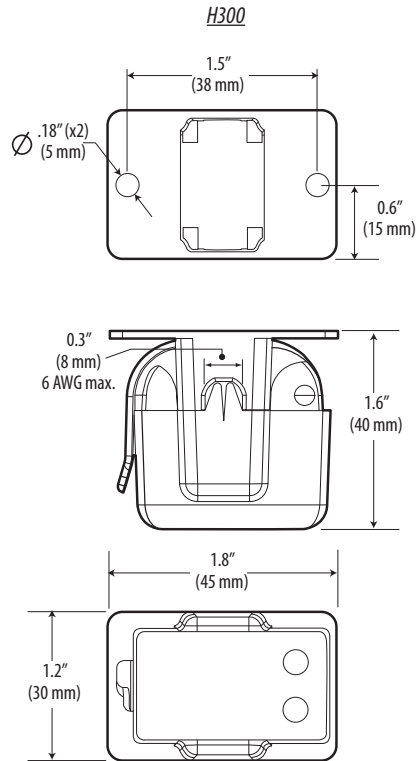
H300



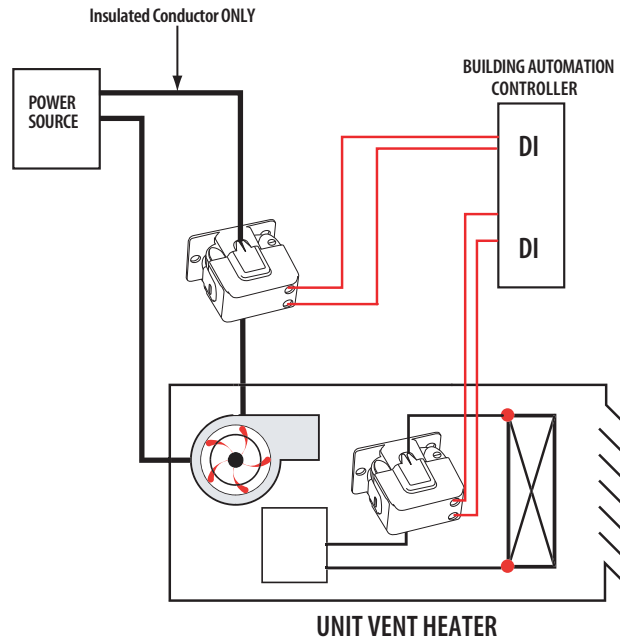
H600



DIMENSIONAL DRAWINGS



APPLICATIONS/WIRING EXAMPLE



SPECIFICATIONS

Amperage Range	Fixed 0.15 to 60A
Sensor Power	Induced
Output	1.0A@30VAC/DC
Insulation Class	600VAC rms (UL), 300VAC rms (CE), insulated conductor only
Frequency Range	50/60Hz.
Temperature Range:	-15° to 60°C
Humidity Range	10 - 90% RH non-condensing
Terminal Blocks	16-22 AWG, 7in-lbs

Do not use the LED status indicators as evidence of applied voltage.

Specification Note: For CE compliance, conductor shall be insulated according to IEC 61010-1:2001, Installation Category III or equivalent. The unit design provides for functional insulation only.